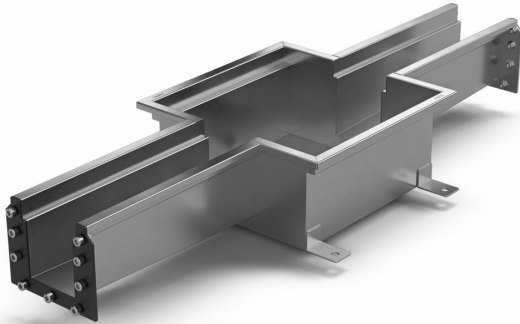


## Item 855701



Purus channel 100 module is made of acid-resistant stainless steel for installation in concrete. The floor channel is intended for concrete, epoxy and tile floors without a waterproofing membrane. Purus channel 100 modul drain is 300×300, has two inlets and the outlet in the channel is located in the middle. Complete Purus channel 100 module with grid, outlet hous in acid-proof stainless steel and water trap.

## Specifications

Purus channel 100 module is made of acid-resistant stainless steel for installation in concrete. The floor channel is intended for concrete, epoxy and tile floors without a waterproofing membrane. Purus channel 100 modul drain is 300×300, has two inlets and the outlet in the channel is located in the middle. Complete Purus channel 100 module with grid, outlet hous in acid-proof stainless steel and water trap.

<b>Item Number</b>	855701
<b>Dimension</b>	Side/bottom in stainless steel in Ø75/Ø110 mm
<b>Floor Construction</b>	Concrete flooring
<b>Floor Covering</b>	Concrete
<b>Function</b>	Central outlet
<b>Item Color</b>	Stainless

**Material**

Acid-resistant stainless steel 1.4404

**Size**

1000×300 mm

**Surface**

Pickled

**Version**

Do not forget grid/grating